

Model GX10/GX20/GP10/GP20/GM10

**EtherNet/IP Communication (/E1)
User's Manual**

Introduction

Thank you for purchasing the SMARTDAC+ Series GX10/GX20/GP10/GP20/GM10 (hereafter referred to as the recorder, GX, GP, or GM).

This manual explains the EtherNet/IP communication function (/E1 option) of the GX, GP, and GM.

In this manual, the GX20, GP20, and GM10 standard type and large memory type are distinguished using the following notations.

- Standard type: GX20-1/GP20-1/GM10-1
- Large memory type: GX20-2/GP20-2/GM10-2

To ensure correct use, please read this manual thoroughly before beginning operation.

Please use this manual in conjunction with the User's Manual (GX/GP: IM 04L51B01-01EN, GM: IM 04L55B01-01EN)

The following manuals are provided for the GX/GP/GM.

• Paper Manuals

Model	Manual Title	Manual No.	Description
GX/GP	Model GX10/GX20/GP10/GP20 Paperless Recorder First Step Guide	IM 04L51B01-02EN	Explains the basic operations of the GX/GP.
GM	Data Acquisition System GM First Step Guide	IM 04L55B01-02EN	Explains the basic operations of the GM.
GX/GP GM	Precaution on the use of SMARTDAC+ GM	IM 04L51B01-91EN	Provides precautions common to the SMARTDAC+ series.
	Regarding the Downloading and Installing for the Software, Manuals and Labels/ About the Usage of Open Source Software	IM 04L61B01-11EN	Explains where software applications and electronic manuals common to the SMARTDAC+ series can be downloaded from and how to install the software applications.

• Downloadable Electronic Manuals

You can download the latest manuals from the following website.

www.smartdacplus.com/manual/en/

Model	Manual Title	Manual No.	Description
GX/GP	Model GX10/GX20/GP10/GP20 Paperless Recorder First Step Guide	IM 04L51B01-02EN	This is the electronic version of the paper manual.
	Model GX10/GX20/GP10/GP20 Paperless Recorder User's Manual	IM 04L51B01-01EN	Describes how to use the GX/GP. The communication control commands and some of the options are excluded.
	Model GX10/GX20/GP10/GP20 Advanced Security Function (/AS) User's Manual	IM 04L51B01-05EN	Describes how to use the advanced security function (/AS option).
GM	GM Data Acquisition System First Step Guide	IM 04L55B01-02EN	This is the electronic version of the paper manual.
	GM Data Acquisition System User's Manual	IM 04L55B01-01EN	Describes how to use the GM. The communication control commands and some of the options are excluded.
	GM Data Acquisition System Advanced Security Function (/AS) User's Manual	IM 04L55B01-05EN	Describes how to use the advanced security function (/AS option).
GX/GP GM	Model GX10/GX20/GP10/GP20/GM10 Communication Commands User's Manual	IM 04L51B01-17EN	Describes how to use command control communication functions.
	SMARTDAC+ STANDARD Universal Viewer User's Manual	IM 04L61B01-01EN	Describes how to use Universal Viewer, which is a software that displays GX/GP/GM measurement data files.
	SMARTDAC+ STANDARD Hardware Configurator User's Manual	IM 04L61B01-02EN	Describes how to use the PC software for creating setting parameters for various GX/GP/GM functions.
	Model GX10/GX20/GP10/GP20/GM10 Multi-batch Function (/BT) User's Manual	IM 04L51B01-03EN	Describes how to use the multi-batch function (/BT option).
	Model GX10/GX20/GP10/GP20/GM10 Log Scale (/LG) User's Manual	IM 04L51B01-06EN	Describes how to use the log scale (/LG option).
	Model GX10/GX20/GP10/GP20/GM10 EtherNet/IP Communication (/E1) User's Manual	IM 04L51B01-18EN	Describes how to use the communication functions through the EtherNet/IP (/E1 option).
	Model GX10/GX20/GP10/GP20/GM10 WT Communication (/E2) User's Manual	IM 04L51B01-19EN	Describes how to use WT communication (/E2 option).
	Model GX10/GX20/GP10/GP20/GM10 OPC-UA Server (/E3) User's Manual	IM 04L51B01-20EN	Describes how to use the OPC-UA server function (/E3 option).
	Model GX10/GX20/GP10/GP20/GM10 SLMP Communication (/E4) User's Manual	IM 04L51B01-21EN	Describes how to use SLMP communication function (/E4 option).
	Model GX10/GX20/GP10/GP20/GM10/GX90NW PROFINET Communication User's Manual	IM 04L51B01-22EN	Describes how to use PROFINET communication function.

Model	Manual Title	Manual No.	Description
GX/GP GM	Model GX10/GX20/GP10/GP20/GM10 Loop Control Function, Program Control Function (PG) User's Manual	IM 04L51B01-31EN	Describes how to use the PID control function and program control (PG option) function.
GX/GP	DXA170 DAQStudio User's Manual	IM 04L41B01-62EN	Describes how to create custom displays (CG option).

Notes

- The contents of this manual are subject to change without prior notice as a result of continuing improvements to the instrument's performance and functions.
- Every effort has been made in the preparation of this manual to ensure the accuracy of its contents. However, should you have any questions or find any errors, please contact your nearest YOKOGAWA dealer.
- Copying or reproducing all or any part of the contents of this manual without the permission of YOKOGAWA is strictly prohibited.

QR Code

The product has a QR Code pasted for efficient plant maintenance work and asset information management.

It enables confirming the specifications of purchased products and user's manuals. For more details, please refer to the following URL.

<https://www.yokogawa.com/qr-code>

QR Code is a registered trademark of DENSO WAVE INCORPORATED.

Trademarks

- SMARTDAC+ is a registered trademarks or trademark of Yokogawa Electric Corporation.
- Microsoft and Windows are registered trademarks or trademarks of Microsoft Corporation in the United States and/or other countries.
- Adobe and Acrobat are registered trademarks or trademarks of Adobe Systems Incorporated.
- Google Chrome is a registered trademark of Google LLC.
- Company and product names that appear in this manual are registered trademarks or trademarks of their respective holders.
- The company and product names used in this manual are not accompanied by the registered trademark or trademark symbols (® and ™).

Using Open Source Software

This product uses open source software.


For details on using open source software, see Regarding the Downloading and Installing for the Software, Manuals and Labels (IM 04L61B01-11EN).

Revisions

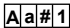



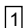
May 2014	1st Edition	December 2019	6th Edition
December 2014	2nd Edition	May 2020	7th Edition
December 2015	3rd Edition	May 2022	8th Edition
June 2017	4th Edition	May 2023	9th Edition
June 2019	5th Edition		

Conventions Used in This Manual

Unit	
K	Denotes 1024. Example: 768K (file size)
k	Denotes 1000.

Markings	
	<i>Improper handling or use can lead to injury to the user or damage to the instrument.</i> This symbol appears on the instrument to indicate that the user must refer to the user's manual for special instructions. The same symbol appears in the corresponding place in the user's manual to identify those instructions. In the manual, the symbol is used in conjunction with the word "WARNING" or "CAUTION."
CAUTION	Calls attention to actions or conditions that could cause serious or fatal injury to the user, and precautions that can be taken to prevent such occurrences.
WARNING	Calls attention to actions or conditions that could cause light injury to the user or cause damage to the instrument or user's data, and precautions that can be taken to prevent such occurrences.
CAUTION	Calls attention to information that is important for the proper operation of the instrument.
Note	

Reference Item	
▶	Reference to related operation or explanation is indicated after this mark. Example: ▶ section 4.1

Conventions Used in the Procedural Explanations	
Bold characters	Denotes key or character strings that appear on the screen. Example: Volt
	Indicates the character types that can be used.  uppercase alphabet,  lowercase alphabet,  symbol,  numbers
Procedure	Carry out the procedure according to the step numbers. All procedures are written with inexperienced users in mind; depending on the operation, not all steps need to be taken. Explanation gives information such as limitations related the procedure.
Explanation	
Path	Indicates the setup screen and explains the settings.
Description	

Assumption of Explanation

The explanation in this manual assumes that the recorder is connected via communications with Rockwell Automation's Programmable Logic Controller (PLC) of the Allen-Bradley brand. The basic items for this configuration are explained. For the operation procedures of Rockwell Automation products, see the user's manuals of these products. This manual is intended for those who have used an Allen-Bradley PLC and EtherNet/IP.

Recorder Version Described in This Manual

The contents of this manual apply to the GX/GP/GM10 with the following release number (see the STYLE S number) and later and style number (see the STYLE H number) and later.

Model	Release Number	Style Number
GX10	5	5
GP10		
GX20		3
GP20		4
GM10		1

Edition	Product	Explanation
1	GX/GP: Version 2.01 and later	—
2	GX/GP: Version 2.01 and later GM: Version 2.02 and later	Describes the GM.
3	GX/GP: Version 3.01 and later GM: Version 3.01 and later	The number of math channels has been increased (GX20-2, GP20-2: 200 channels)
4	GX/GP: Version 4.01 and later GM: Version 4.01 and later	Describes the PID control module.
5	GX/GP: Version 4.06 and later GM: Version 4.06 and later	Describes of the QR code has been added. Improvements to explanations.
6	GX/GP: Version 4.07 and later GM: Version 4.07 and later	Loading alarm information (Explicit message, I/O message) Addition of a recorder control function (Explicit message)
7	GX/GP: Version 4.08 and later GM: Version 4.07 and later	Support for style up (H: 3 (GX10/GX20/GP10), H: 4 (GP20)) of GX/GP.
8	GX/GP: Version 5.01 and later GM: Version 5.01 and later	Support for GX/GP/GM firmware version R5.01 (Added equipment/quality prediction).

Contents

Introduction.....	i
Conventions Used in This Manual.....	iii
Assumption of Explanation.....	iv
Recorder Version Described in This Manual.....	iv
Introduction of Features.....	1
EtherNet/IP.....	1
What the Recorder Can Do.....	2
Settings of the Recorder.....	2
Access to the Recorder.....	2
Connection to a Network.....	3
Cable Connection.....	3
Settings of the Recorder.....	3
Preparation for PLC.....	4
EDS File.....	4
System Configuration.....	4
Explicit Message.....	5
System Configuration on PLC.....	5
Data on the Recorder.....	25
I/O Messages.....	26
System Configuration on PLC.....	26
Data on the Recorder.....	30
Communication Considerations.....	31
About Communication Interval.....	31
Access to Non-existent Data.....	31
Special data.....	31
Writing Data to the Recorder.....	31
Specifications.....	32
Example of an Explicit Message Using RSLogix 5000.....	33
Example of I/O Message Using RSLogix 5000.....	35

Blank

Introduction of Features

EtherNet/IP

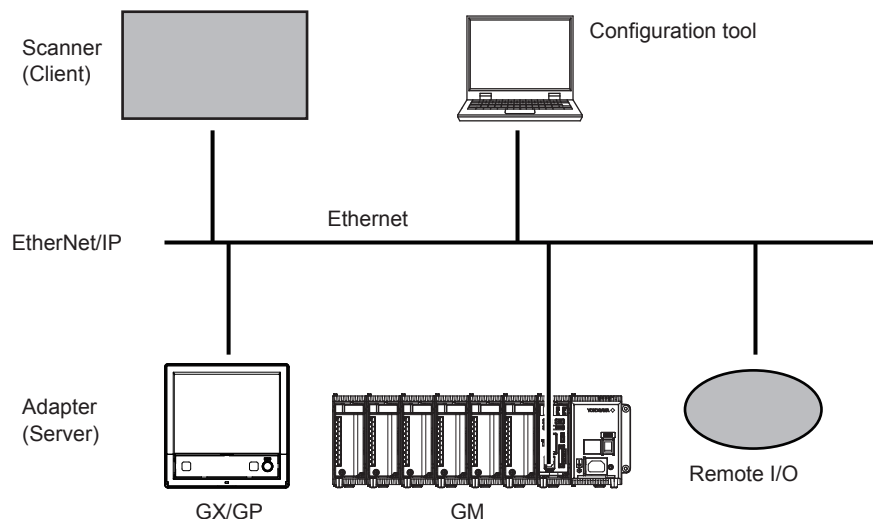
EtherNet/IP is a protocol that extends Common Industrial Protocol (CIP) to Ethernet.

The use of Ethernet enables high-speed and periodic exchange of massive control and monitoring data between control devices placed at dispersed locations.

Devices that support EtherNet/IP are available from many vendors. Among them, Rockwell Automation's Programmable Logic Controller (PLC) and Remote I/O of the Allen-Bradley brand are widely used. Yokogawa's GX, GP, and GM, equipped with the EtherNet/IP server function, supports communications with these PLCs.

Configuration Components

- Scanner (Client)
A device that launches a request on EtherNet/IP. This is either a PLC or PC. For the recorder, PLCs such as Allen-Bradley PLC-2, PLC-5, SLC 500, MicroLogix, CompactLogix, and ControlLogix represent a Scanner (Client).
- Adapter (Server)
A remote I/O device that the Scanner (Client) can access to read or write data. The recorder is an Adapter (Server).
- Configuration tool
A tool used to configure the system. This is either a PC on which configuration software has been installed or the software itself. Rockwell Automation RSLogix500 and RSLogix5000 and the communication driver software RSLinx are configuration tools.



Note

For details of EtherNet/IP, see the information supplied by the Open DeviceNet Vender Association (ODVA).

What the Recorder Can Do

The recorder provides the following functions:

- Participate in an EtherNet/IP network as an Adapter (Server).
- Communicate with new and old Allen-Bradley PLCs such as MicroLogix, CompactLogix, ControlLogix, SLC 500, PLC-5, and PLC-2.
- Support both Explicit (Only the CCCP is supported) and I/O messages.
- PLCs can access internal data of the recorder.

Data	Access
Input/Output channel data	Read
Computation channel ¹ data	Read
Communication channel ² data	Read/write
Alarm information (status information)	Read
Main unit information ³	Read/write

1 Option (/MT)

2 Option (/MC)

3 I/O messages are not supported.

The following shows examples of usage.

- Data on devices on a network can be recorded by a PLC to the recorder.
- Data measured by the recorder can be acquired by a PLC.

Settings of the Recorder

The recorder is ready to use after the following settings have been made.

- IP address and other settings required to connect to Ethernet
- Enabling of EtherNet/IP server function

Access to the Recorder

The recorder is a passive device on an Ethernet network. The recorder cannot launch a request. A PLC launches a request to the recorder.

A request is called a "message". There are two message types: Explicit message and I/O messages (Implicit message). An Explicit message, included in control logic, is used to access the recorder, only when required, and transmit data. An I/O message is used to transmit pre-specified recorder data at intervals.

The Recorder can also communicate with PLCs compatible with Programmable Controller Communication Command (PCCC) using conversion of PCCC to EtherNet/IP at the gateway. PCCC, which is also called DF1 communication, is a serial communication protocol specific to Rockwell Automation PLCs.

The recorder supports EtherNet/IP in which PCCC requests are encapsulated. It can communicate also with PLCs that support encapsulated PCCC.

Communication using Explicit messages are only supported for PCCC.

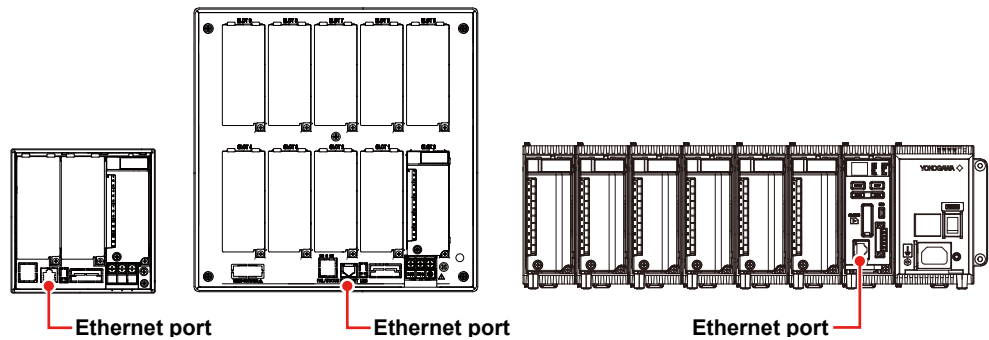
Connection to a Network

Cable Connection

Connect the Ethernet cable to the Ethernet port provided on the back of the recorder.



Be sure to connect an Ethernet cable with an FCC-compliant plug. Not doing so may cause a malfunction.



Settings of the Recorder

IP Address, Host Information, and DNS Setting, etc.

- ▶ GX/GP: See section 1.21, “Configuring the Ethernet Communication Function” in the User’s manual (IM 04L51B01-01EN) .
- ▶ GM: See section 2.22, “Configuring the Ethernet Communication Function,” in the User’s Manual (IM 04L55B01-01EN).

EtherNet/IP Server Settings

Path

GX/GP: **MENU** key > **Browse** tab > **Setting** > Setting menu **Communication (Ethernet) settings > Server settings > Server list**
 Web browser: **Config.** tab > **Communication (Ethernet) settings > Server list**
 Hardware configurator: **Communication (Ethernet) settings > Server list**

Description

EtherNet/IP

Setup Item	Selectable Range or Options	Default Value
On/Off	Off, On	Off

On/Off

Specify **On** to enable the EtherNet/IP server.

Note

On a GX/GP, you can check the EtherNet/IP server settings on the Network Information screen. You can open the Network Information Screen by pressing the **MENU** key, tap the **Browse** tab > **Network information**.

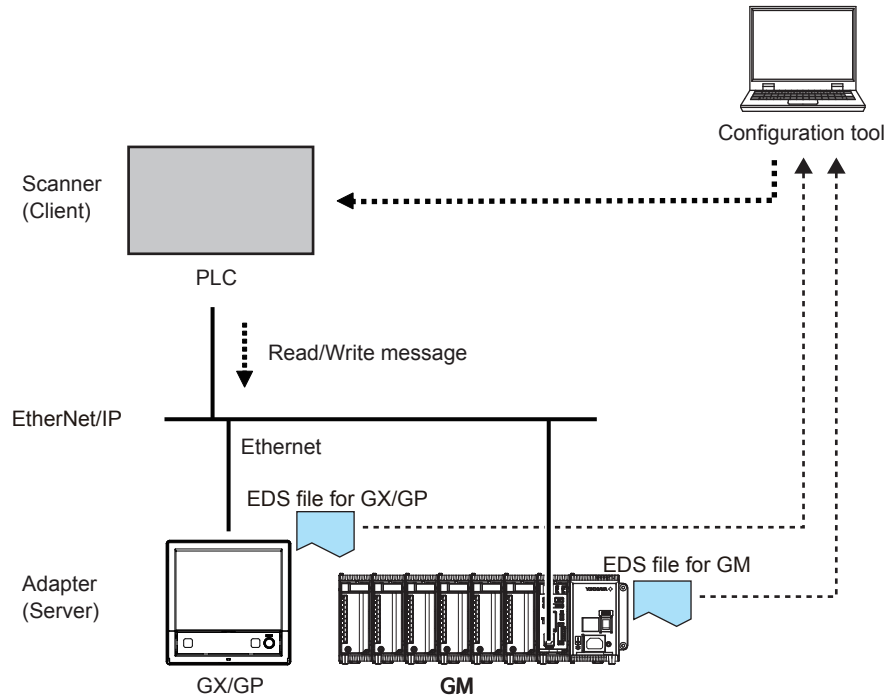
Preparation for PLC

EDS File

Installation

To have the recorder participate in a network, first install the recorder device profile (Electronic Data Sheet; EDS file) in the configuration tool. A PLC communicates with the recorder based on the information in the EDS file.

Conduct installation using the “EDS Hardware Installation Tool” of RSLinx. For information on using the configuration tool, see the user’s manual of the configuration tool.



How to Obtain the EDS File

Obtain the EDS file from the Yokogawa Web site:

URL: www.smartdacplus.com/software/en/

Use EDS files that match the recorder version.

Mainunit vresion	EDS file version
Up to R4.06.xx	1.1
R4.07.01 and later	1.2

System Configuration

Use the configuration tool to make the communication settings.

Use RSLinx, RSLogix500, or RSLogix5000 to make an Explicit message or I/O message, download it to the PLC, and execute it.

For information on using the configuration tool and a PLC, see the user’s manuals of these products.

Explicit Message

An Explicit message is a point-to-point, request/response-type communication. Communication using Explicit messages are only supported for PCCC.

System Configuration on PLC

Use the configuration tool to code an Explicit message as an MSG instruction in the control logic. In the MSG instruction, set all the information including a target device, target register, and read/write. Download the created control logic to a PLC and execute it.

On the recorder the data count to be accessed per MSG instruction should be 100 or less.

In Case of PLC-2, PLC-5, and SLC

- **Commands**

When creating an MSG instruction, specify a command. The recorder supports the following commands:

Target PLC	Command name
PLC-2	PLC2 Unprotected Read/Write
PLC-5	PLC5 Word Range Read/Write
	PLC5 Typed Read/Write
SLC	SLC Typed Read/Write

- **Specification of data to be accessed**

Specify which of the data in the recorder should be accessed. The PLC-2, PLC-5, and SLC manage data to be accessed in units of "files."

Command: PLC2 Unprotected Read/Write

Data to be accessed		File number
Type	Number	Data type: INT16
Input/Output channel (GX/GP main unit) (GM main unit)	0001	1000

	0050	1049
	0101	1050

	0150	1099
	0201	1100

	0250	1149
	0301	1150

	0350	1199
	0401	1200

	0450	1249
	0501	1250

	0550	1299
	0601	1300

0650	1349	
0701	1350	
...	...	
0750	1399	
0801	1400	
...	...	
0850	1449	
0901	1450	
...	...	
0950	1499	

Continued on next page

Data to be accessed		File number
Type	Number	Data type: INT16
Input/Output channel (GX/GP expandable I/O 1) (GM sub unit 1)	1001	1500

	1050	1549
	1101	1550

	1150	1599
	1201	1600

	1250	1649
	1301	1650

	1350	1699
	1401	1700

	1450	1749
1501	1750	
...	...	
1550	1799	
(GX/GP expandable I/O 2) (GM sub unit 2)	2001	2000

	2050	2049
	2101	2050

	2150	2099
	2201	2100

	2250	2149
	2301	2150

	2350	2199
	2401	2200

	2450	2249
2501	2250	
...	...	
2550	2299	
(GX/GP expandable I/O 3) (GM sub unit 3)	3001	2500

	3050	2549
	3101	2550

	3150	2599
	3201	2600

	3250	2649
	3301	2650

	3350	2699
	3401	2700

	3450	2749
3501	2750	
...	...	
3550	2799	

Continued on next page

Data to be accessed		File number
Type	Number	Data type: INT16
Input/Output channel (GX/GP expandable I/O 4) (GM sub unit 4)	4001	3000

	4050	3049
	4101	3050

	4150	3099
	4201	3100

	4250	3149
	4301	3150

	4350	3199
	4401	3200

4450	3249	
(GX/GP expandable I/O 5) (GM sub unit 5)	4501	3250

	4550	3299
	5001	3500

	5050	3549
	5101	3550

	5150	3599
	5201	3600

	5250	3649
	5301	3650

5350	3699	
(GX/GP expandable I/O 6) (GM sub unit 6)	5401	3700

	5450	3749
	5501	3750

	5550	3799
	6001	4000

	6050	4049
	6101	4050

	6150	4099
	6201	4100

6250	4149	
6301	4150	
...	...	
6350	4199	
6401	4200	
...	...	
6450	4249	
6501	4250	
...	...	
6550	4299	

Continued on next page

Data to be accessed		File number
Type	Number	Data type: INT16
Input/Output channel (Continuous channel data area)*	0001	4500

	0010	4509
	0101	4510

	0110	4519
	0201	4520

	0210	4529
	0301	4530

	0310	4539
	0401	4540

	0410	4549
	0501	4550

	0510	4559
	0601	4560

0610	4569	
0701	4570	
...	...	
0710	4579	
0801	4580	
...	...	
0810	4589	
0901	4590	
...	...	
0910	4599	
Computation channel	A001	5000

	A200	5199
Communication channel (Read/Write)	C001	6000

	C500	6499

“...” stands for data in numerical order.

- * The “continuous channel data area” is a special area that enables continuous reading by limiting the number of channels of each module to 10. For only the I/O channels on a GX/GP main unit or I/O channels on a GM main unit, this area can be used to read data consecutively.

Commands: PLC5 Word Range Read/Write, PLC5 Typed Read/Write, and SLC Typed Read/Write

Data to be accessed Type	Number	File number		
		Data type INT16	Data type INT32	Data type FLOAT
Input/Output channel (GX/GP main unit) (GM main unit)	0001	N10:00	L10:00	F10:00

	0050	N10:49	L10:49	F10:49
	0101	N10:50	L10:50	F10:50

	0150	N10:99	L10:99	F10:99
	0201	N11:00	L11:00	F11:00

	0250	N11:49	L11:49	F11:49
	0301	N11:50	L11:50	F11:50

	0350	N11:99	L11:99	F11:99
	0401	N12:00	L12:00	F12:00

	0450	N12:49	L12:49	F12:49
	0501	N12:50	L12:50	F12:50

	0550	N12:99	L12:99	F12:99
	0601	N13:00	L13:00	F13:00

0650	N13:49	L13:49	F13:49	
0701	N13:50	L13:50	F13:50	
...	
0750	N13:99	L13:99	F13:99	
0801	N14:00	L14:00	F14:00	
...	
0850	N14:49	L14:49	F14:49	
0901	N14:50	L14:50	F14:50	
...	
0950	N14:99	L14:99	F14:99	
(GX/GP expandable I/O 1) (GM sub unit 1)	1001	N15:00	L15:00	F15:00

	1050	N15:49	L15:49	F15:49
	1101	N15:50	L15:50	F15:50

	1150	N15:99	L15:99	F15:99
	1201	N16:00	L16:00	F16:00

	1250	N16:49	L16:49	F16:49
	1301	N16:50	L16:50	F16:50

	1350	N16:99	L16:99	F16:99
1401	N17:00	L17:00	F17:00	
...	
1450	N17:49	L17:49	F17:49	
1501	N17:50	L17:50	F17:50	
...	
1550	N17:99	L17:99	F17:99	

Continued on next page

Data to be accessed Type	Number	File number		
		Data type INT16	Data type INT32	Data type FLOAT
Input/Output channel (GX/GP expandable I/O 2) (GM sub unit 2)	2001	N20:00	L20:00	F20:00

	2050	N20:49	L20:49	F20:49
	2101	N20:50	L20:50	F20:50

	2150	N20:99	L20:99	F20:99
	2201	N21:00	L21:00	F21:00

	2250	N21:49	L21:49	F21:49
	2301	N21:50	L21:50	F21:50

	2350	N21:99	L21:99	F21:99
	2401	N22:00	L22:00	F22:00

2450	N22:49	L22:49	F22:49	
2501	N22:50	L22:50	F22:50	
...	
2550	N22:99	L22:99	F22:99	
(GX/GP expandable I/O 3) (GM sub unit 3)	3001	N25:00	L25:00	F25:00

	3050	N25:49	L25:49	F25:49
	3101	N25:50	L25:50	F25:50

	3150	N25:99	L25:99	F25:99
	3201	N26:00	L26:00	F26:00

	3250	N26:49	L26:49	F26:49
	3301	N26:50	L26:50	F26:50

	3350	N26:99	L26:99	F26:99
	3401	N27:00	L27:00	F27:00

3450	N27:49	L27:49	F27:49	
3501	N27:50	L27:50	F27:50	
...	
3550	N27:99	L27:99	F27:99	
(GX/GP expandable I/O 4) (GM sub unit 4)	4001	N30:00	L30:00	F30:00

	4050	N30:49	L30:49	F30:49
	4101	N30:50	L30:50	F30:50

	4150	N30:99	L30:99	F30:99
	4201	N31:00	L31:00	F31:00

	4250	N31:49	L31:49	F31:49
	4301	N31:50	L31:50	F31:50

	4350	N31:99	L31:99	F31:99
	4401	N32:00	L32:00	F32:00

4450	N32:49	L32:49	F32:49	
4501	N32:50	L32:50	F32:50	
...	
4550	N32:99	L32:99	F32:99	

Continued on next page

Data to be accessed		File number		
Type	Number	Data type INT16	Data type INT32	Data type FLOAT
Input/Output channel (GX/GP expandable I/O 5) (GM sub unit 5)	5001	N35:00	L35:00	F35:00

	5050	N35:49	L35:49	F35:49
	5101	N35:50	L35:50	F35:50

	5150	N35:99	L35:99	F35:99
	5201	N36:00	L36:00	F36:00

	5250	N36:49	L36:49	F36:49
	5301	N36:50	L36:50	F36:50

	5350	N36:99	L36:99	F36:99
	5401	N37:00	L37:00	F37:00

5450	N37:49	L37:49	F37:49	
5501	N37:50	L37:50	F37:50	
...	
5550	N37:99	L37:99	F37:99	
(GX/GP expandable I/O 6) (GM sub unit 6)	6001	N40:00	L40:00	F40:00

	6050	N40:49	L40:49	F40:49
	6101	N40:50	L40:50	F40:50

	6150	N40:99	L40:99	F40:99
	6201	N41:00	L41:00	F41:00

	6250	N41:49	L41:49	F41:49
	6301	N41:50	L41:50	F41:50

	6350	N41:99	L41:99	F41:99
	6401	N42:00	L42:00	F42:00

6450	N42:49	L42:49	F42:49	
6501	N42:50	L42:50	F42:50	
...	
6550	N42:99	L42:99	F42:99	

Continued on next page

Data to be accessed		File number		
Type	Number	Data type INT16	Data type INT32	Data type FLOAT
Input/Output channel (Continuous channel data area)*	0001	N45:00	L45:00	F45:00

	0010	N45:09	L45:09	F45:09
	0101	N45:10	L45:10	F45:10

	0110	N45:19	L45:19	F45:19
	0201	N45:20	L45:20	F45:20

	0210	N45:29	L45:29	F45:29
	0301	N45:30	L45:30	F45:30

	0310	N45:39	L45:39	F45:39
	0401	N45:40	L45:40	F45:40

	0410	N45:49	L45:49	F45:49
	0501	N45:50	L45:50	F45:50

	0510	N45:59	L45:59	F45:59
	0601	N45:60	L45:60	F45:60

0610	N45:69	L45:69	F45:69	
0701	N45:70	L45:70	F45:70	
...	
0710	N45:79	L45:79	F45:79	
0801	N45:80	L45:80	F45:80	
...	
0810	N45:89	L45:89	F45:89	
0901	N45:90	L45:90	F45:90	
...	
0910	N45:99	L45:99	F45:99	
Computation channel	A001	N50:00	L50:00	F50:00

	A200	N51:99	L51:99	F51:99
Communication channel (Read/Write)	C001	N60:00	L60:00	F60:00

	C500	N64:99	L64:99	F64:99

Specify a data address, for example, as N10:0 (where N is INT16, the file number is 10, and the element number is 0).

Use only N file for command, "PLC5 Word Range Read/Write"

"..." stands for data in numerical order.

- * The "continuous channel data area" is a special area that enables continuous reading by limiting the number of channels of each module to 10. For only the I/O channels on a GX/GP main unit or I/O channels on a GM main unit, this area can be used to read data consecutively.

In Case of CompactLogix, etc.

- **Command: CIP Data Table Read/Write**

The recorder supports the following commands:

Target PLC	Command name
CompactLogix, etc.	CIP Data Table Read/Write

- **Specifying data to be accessed**

Specify which of the data in the recorder should be accessed. For Logix, data can be accessed by a “tag name”.

Data to be accessed Type	Number	Tag name		
		Data type INT16	Data type INT32	Data type FLOAT
Input/Output channel (GX/GP main unit) (GM main unit)	0001	int[1000]	dint[1000]	real[1000]

	0050	int[1049]	dint[1049]	real[1049]
	0101	int[1050]	dint[1050]	real[1050]

	0150	int[1099]	dint[1099]	real[1099]
	0201	int[1100]	dint[1100]	real[1100]

	0250	int[1149]	dint[1149]	real[1149]
	0301	int[1150]	dint[1150]	real[1150]

	0350	int[1199]	dint[1199]	real[1199]
	0401	int[1200]	dint[1200]	real[1200]

	0450	int[1249]	dint[1249]	real[1249]
	0501	int[1250]	dint[1250]	real[1250]

	0550	int[1299]	dint[1299]	real[1299]
	0601	int[1300]	dint[1300]	real[1300]

0650	int[1349]	dint[1349]	real[1349]	
0701	int[1350]	dint[1350]	real[1350]	
...	
0750	int[1399]	dint[1399]	real[1399]	
0801	int[1400]	dint[1400]	real[1400]	
...	
0850	int[1449]	dint[1449]	real[1449]	
0901	int[1450]	dint[1450]	real[1450]	
...	
0950	int[1499]	dint[1499]	real[1499]	
(GX/GP expandable I/O 1) (GM sub unit 1)	1001	int[1500]	dint[1500]	real[1500]

	1050	int[1549]	dint[1549]	real[1549]
	1101	int[1550]	dint[1550]	real[1550]

	1150	int[1599]	dint[1599]	real[1599]
	1201	int[1600]	dint[1600]	real[1600]

	1250	int[1649]	dint[1649]	real[1649]
	1301	int[1650]	dint[1650]	real[1650]

	1350	int[1699]	dint[1699]	real[1699]
1401	int[1700]	dint[1700]	real[1700]	
...	
1450	int[1749]	dint[1749]	real[1749]	
1501	int[1750]	dint[1750]	real[1750]	
...	
1550	int[1799]	dint[1799]	real[1799]	

Continued on next page

Data to be accessed		Tag name		
Type	Number	Data type INT16	Data type INT32	Data type FLOAT
Input/Output channel (GX/GP expandable I/O 2) (GM sub unit 2)	2001	int[2000]	dint[2000]	real[2000]

	2050	int[2049]	dint[2049]	real[2049]
	2101	int[2050]	dint[2050]	real[2050]

	2150	int[2099]	dint[2099]	real[2099]
	2201	int[2100]	dint[2100]	real[2100]

	2250	int[2149]	dint[2149]	real[2149]
	2301	int[2150]	dint[2150]	real[2150]

	2350	int[2199]	dint[2199]	real[2199]
	2401	int[2200]	dint[2200]	real[2200]

2450	int[2249]	dint[2249]	real[2249]	
2501	int[2250]	dint[2250]	real[2250]	
...	
2550	int[2299]	dint[2299]	real[2299]	
(GX/GP expandable I/O 3) (GM sub unit 3)	3001	int[2500]	dint[2500]	real[2500]

	3050	int[2549]	dint[2549]	real[2549]
	3101	int[2550]	dint[2550]	real[2550]

	3150	int[2599]	dint[2599]	real[2599]
	3201	int[2600]	dint[2600]	real[2600]

	3250	int[2649]	dint[2649]	real[2649]
	3301	int[2650]	dint[2650]	real[2650]

	3350	int[2699]	dint[2699]	real[2699]
	3401	int[2700]	dint[2700]	real[2700]

3450	int[2749]	dint[2749]	real[2749]	
3501	int[2750]	dint[2750]	real[2750]	
...	
3550	int[2799]	dint[2799]	real[2799]	
(GX/GP expandable I/O 4) (GM sub unit 4)	4001	int[3000]	dint[3000]	real[3000]

	4050	int[3049]	dint[3049]	real[3049]
	4101	int[3050]	dint[3050]	real[3050]

	4150	int[3099]	dint[3099]	real[3099]
	4201	int[3100]	dint[3100]	real[3100]

	4250	int[3149]	dint[3149]	real[3149]
	4301	int[3150]	dint[3150]	real[3150]

	4350	int[3199]	dint[3199]	real[3199]
	4401	int[3200]	dint[3200]	real[3200]

4450	int[3249]	dint[3249]	real[3249]	
4501	int[3250]	dint[3250]	real[3250]	
...	
4550	int[3299]	dint[3299]	real[3299]	

Continued on next page

Data to be accessed Type	Number	Tag name		
		Data type INT16	Data type INT32	Data type FLOAT
Input/Output channel (GX/GP expandable I/O 5) (GM sub unit 5)	5001	int[3500]	dint[3500]	real[3500]

	5050	int[3549]	dint[3549]	real[3549]
	5101	int[3550]	dint[3550]	real[3550]

	5150	int[3599]	dint[3599]	real[3599]
	5201	int[3600]	dint[3600]	real[3600]

	5250	int[3649]	dint[3649]	real[3649]
	5301	int[3650]	dint[3650]	real[3650]

	5350	int[3699]	dint[3699]	real[3699]
	5401	int[3700]	dint[3700]	real[3700]

5450	int[3749]	dint[3749]	real[3749]	
5501	int[3750]	dint[3750]	real[3750]	
...	
5550	int[3799]	dint[3799]	real[3799]	
(GX/GP expandable I/O 6) (GM sub unit 6)	6001	int[4000]	dint[4000]	real[4000]

	6050	int[4049]	dint[4049]	real[4049]
	6101	int[4050]	dint[4050]	real[4050]

	6150	int[4099]	dint[4099]	real[4099]
	6201	int[4100]	dint[4100]	real[4100]

	6250	int[4149]	dint[4149]	real[4149]
	6301	int[4150]	dint[4150]	real[4150]

	6350	int[4199]	dint[4199]	real[4199]
	6401	int[4200]	dint[4200]	real[4200]

6450	int[4249]	dint[4249]	real[4249]	
6501	int[4250]	dint[4250]	real[4250]	
...	
6550	int[4299]	dint[4299]	real[4299]	

Continued on next page

Data to be accessed Type	Number	Tag name		
		Data type INT16	Data type INT32	Data type FLOAT
Input/Output channel (Continuous channel data area)*	0001	int[4500]	dint[4500]	real[4500]

	0010	int[4509]	dint[4509]	rea[4509]
	0101	int[4510]	dint[4510]	rea[4510]

	0110	int[4519]	dint[4519]	rea[4519]
	0201	int[4520]	dint[4520]	rea[4520]

	0210	int[4529]	dint[4529]	rea[4529]
	0301	int[4530]	dint[4530]	rea[4530]

	0310	int[4539]	dint[4539]	rea[4539]
	0401	int[4540]	dint[4540]	rea[4540]

	0410	int[4549]	dint[4549]	rea[4549]
	0501	int[4550]	dint[4550]	rea[4550]

	0510	int[4559]	dint[4559]	rea[4559]
	0601	int[4560]	dint[4560]	rea[4560]

0610	int[4569]	dint[4569]	rea[4569]	
0701	int[4570]	dint[4570]	rea[4570]	
...	
0710	int[4579]	dint[4579]	rea[4579]	
0801	int[4580]	dint[4580]	rea[4580]	
...	
0810	int[4589]	dint[4589]	rea[4589]	
0901	int[4590]	dint[4590]	rea[4590]	
...	
0910	int[4599]	dint[4599]	rea[4599]	
Computation channel	A001	int[5000]	dint[5000]	real[5000]

	A200	int[5199]	dint[5199]	real[5199]
Communication channel (Read/Write)	C001	int[6000]	dint[6000]	real[6000]

	C500	int[6499]	dint[6499]	real[6499]
Alarm information of I/O channel (GX/GP main unit) (GM main unit)	0001	int[7000]	-	-
		
	0050	int[7049]		
	0101	int[7050]		
		
	0150	int[7099]		
	0201	int[7100]		
		
	0250	int[7149]		
	0301	int[7150]		
		
	0350	int[7199]		
	0401	int[7200]		
		
	0450	int[7249]		
	0501	int[7250]		
		
	0550	int[7299]		
	0601	int[7300]		
		
0650	int[7349]			
0701	int[7350]			
...	...			
0750	int[7399]			
0801	int[7400]			
...	...			
0850	int[7449]			
0901	int[7450]			
...	...			
0950	int[7499]			

Continued on next page

Data to be accessed		Tag name		
Type	Number	Data type INT16	Data type INT32	Data type FLOAT
Alarm information of I/O channel (GX/GP expandable I/O 1) (GM sub unit 1)	1001	int[7500]	-	-
		
	1050	int[7549]		
	1101	int[7550]		
		
	1150	int[7599]		
	1201	int[7600]		
		
	1250	int[7649]		
	1301	int[7650]		
		
	1350	int[7699]		
(GX/GP expandable I/O 2) (GM sub unit 2)	1401	int[7700]	-	-
		
	1450	int[7749]		
	1501	int[7750]		
		
	1550	int[7799]		
	2001	int[8000]		
		
	2050	int[8049]		
	2101	int[8050]		
		
	2150	int[8099]		
(GX/GP expandable I/O 3) (GM sub unit 3)	2201	int[8100]	-	-
		
	2250	int[8149]		
	2301	int[8150]		
		
	2350	int[8199]		
	2401	int[8200]		
		
	2450	int[8249]		
	2501	int[8250]		
		
	2550	int[8299]		
(GX/GP expandable I/O 4) (GM sub unit 4)	3001	int[8500]	-	-
		
	3050	int[8549]		
	3101	int[8550]		
		
	3150	int[8599]		
	3201	int[8600]		
		
	3250	int[8649]		
	3301	int[8650]		
		
	3350	int[8699]		
(GX/GP expandable I/O 4) (GM sub unit 4)	3401	int[8700]	-	-
		
	3450	int[8749]		
	3501	int[8750]		
		
	3550	int[8799]		
	4001	int[9000]		
		
4050	int[9049]			
(GX/GP expandable I/O 4) (GM sub unit 4)	4101	int[9050]	-	-
		
	4150	int[9099]		
	4201	int[9100]		
		
	4250	int[9149]		
	4301	int[9150]		
...	...			
4350	int[9199]			

Continued on next page

Data to be accessed		Tag name		
Type	Number	Data type INT16	Data type INT32	Data type FLOAT
Alarm information of I/O channel (GX/GP expandable I/O 4) (GM sub unit 4)	4401	int[9200]	-	-
		
	4450	int[9249]		
	4501	int[9250]		
	4550	int[9299]		
(GX/GP expandable I/O 5) (GM sub unit 5)	5001	int[9500]	-	-
		
	5050	int[9549]		
	5101	int[9550]		
		
	5150	int[9599]		
	5201	int[9600]		
		
	5250	int[9649]		
	5301	int[9650]		
		
	5350	int[9699]		
	5401	int[9700]		
...	...			
5450	int[9749]			
5501	int[9750]			
...	...			
5550	int[9799]			
(GX/GP expandable I/O 6) (GM sub unit 6)	6001	int[10000]	-	-
		
	6050	int[10049]		
	6101	int[10050]		
		
	6150	int[10099]		
	6201	int[10100]		
		
	6250	int[10149]		
	6301	int[10150]		
		
	6350	int[10199]		
	6401	int[10200]		
...	...			
6450	int[10249]			
6501	int[10250]			
...	...			
6550	int[10299]			
Alarm information of I/O channel (Continuous channel data area)*	0001	int[10500]	-	-
		
	0010	int[10509]		
	0101	int[10510]		
		
	0110	int[10519]		
	0201	int[10520]		
		
	0210	int[10529]		
	0301	int[10530]		
		
	0310	int[10539]		
	0401	int[10540]		
		
	0410	int[10549]		
	0501	int[10550]		
		
0510	int[10559]			
0601	int[10560]			
...	...			
0610	int[10569]			
0701	int[10570]			
...	...			
0710	int[10579]			

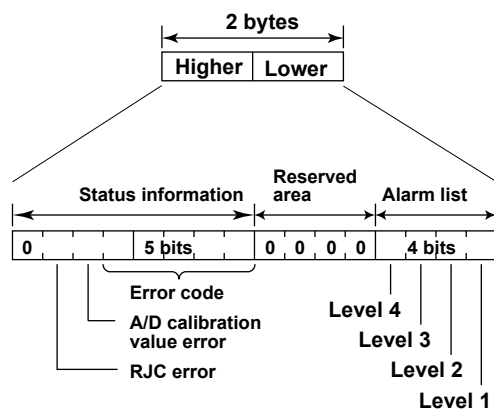
Continued on next page

Data to be accessed		Tag name		
Type	Number	Data type INT16	Data type INT32	Data type FLOAT
Alarm information of I/O channel (Continuous channel data area)*	0801	int[10580]	-	-
		
	0810	int[10589]		
	0901	int[10590]		
Alarm information of computation channel	0910	int[10599]	-	-
		
	A001	int[11000]		
	A200	int[11199]		
Alarm information of communication channel	C001	int[12000]	-	-
		
	C500	int[12499]		
		

"..." stands for data in numerical order.

* The "continuous channel data area" is a special area that enables continuous reading by limiting the number of channels of each module to 10.
For only the I/O channels on a GX/GP main unit or I/O channels on a GM main unit, this area can be used to read data consecutively.

- There is no decimal place information.



Error code	Meaning
0	No error
1	Skip
2	+Over
3	-Over
4	+Burnout
5	-Burnout
6	A/D error
7	Invalid data
16	Computation error
17	Communication error

GX/GP/GM Operation Setting

- Starts or stops recording, Computation

The action is executed when the value is written.

Data to be accessed	Tag name	Supplementary Information
	Data type INT32	
Starts or stops recording (when multi batch is not in use)	dint[12600]	0: Fixed at 0 when reading 1: Start recording 2: Stop recording
Multi batch 1 Starts or stops recording	dint[12600]	
Multi batch 2 Starts or stops recording	dint[12601]	
Multi batch 3 Starts or stops recording	dint[12602]	
Multi batch 4 Starts or stops recording	dint[12603]	
Multi batch 5 Starts or stops recording	dint[12604]	
Multi batch 6 Starts or stops recording	dint[12605]	
Multi batch 7 Starts or stops recording	dint[12606]	
Multi batch 8 Starts or stops recording	dint[12607]	
Multi batch 9 Starts or stops recording	dint[12608]	
Multi batch 10 Starts or stops recording	dint[12609]	
Multi batch 11 Starts or stops recording	dint[12610]	
Multi batch 12 Starts or stops recording	dint[12611]	
Computation operation (when multi batch is not in use)	dint[12620]	0: Fixed at 0 when reading 1: Start computation 2: Stop computation 3: Reset computation 4: Clear the computation dropout status display
Multi batch 1 Computation operation	dint[12620]	
Multi batch 2 Computation operation	dint[12621]	
Multi batch 3 Computation operation	dint[12622]	
Multi batch 4 Computation operation	dint[12623]	
Multi batch 5 Computation operation	dint[12624]	
Multi batch 6 Computation operation	dint[12625]	
Multi batch 7 Computation operation	dint[12626]	
Multi batch 8 Computation operation	dint[12627]	
Multi batch 9 Computation operation	dint[12628]	
Multi batch 10 Computation operation	dint[12629]	
Multi batch 11 Computation operation	dint[12630]	
Multi batch 12 Computation operation	dint[12631]	

- Alarm ACK

All alarm ACK

The action is executed when the value is written.

Data to be accessed	Tag name	Supplementary Information
	Data type INT32	
All alarm ACK	dint[12650]	0: Fixed at 0 when reading 1: Alarm acknowledge

Individual alarm ACK

Write the channel type, channel number, and alarm level with a single message. Otherwise, an error will occur.

Data to be accessed	Tag name	Supplementary Information
	Data type INT32	
Individual alarm ACK (alarm ACK Channel type)	dint[12651]	0: Fixed at 0 when reading 1: I/O channel 2: Math channel 3: Communication channel
Individual alarm ACK (alarm ACK Channel number)	dint[12652]	0: Fixed at 0 when reading I/O channel: 1 to 6932 Math channel: 1 to 100 Communication channel: 1 to 500

Continued on next page

Data to be accessed	Tag name	Supplementary Information
	Data type INT32	
Individual alarm ACK (alarm ACK Channel level)	dint[12653]	0: Fixed at 0 when reading 1: Alarm level 1 ACK 2: Alarm level 2 ACK 3: Alarm level 3 ACK 4: Alarm level 4 ACK

• Read/Write message

Message writing is executed when a message (free message or preset message) is written in the message body. In the case of a preset message, the written content is ignored.

Data to be accessed	Tag name		Supplementary Information
	Data type INT32	Data type STRING	
Write a message (specify the write method)	dint[12700]	–	0: Fixed at 0 when reading 1: Write a preset message 2: Write a free message
Write a message (message number)	dint[12701]	–	0: Fixed at 0 when reading Preset message: 1 to 100 Free message: 1 to 10
Write a message (specify the write destination)	dint[12702]	–	0: All display groups; fixed at 0 when reading 1 or greater: The specified display group
Write a message (batch group number)	dint[12703]	–	0: Fixed at 0 when reading 1 or greater: Batch group number
Write a message (body of message)	dint[12704]	string[12704]	0: Fixed at 0 when reading UTF-8 characters (2 characters) Up to 35 characters (except the number of valid characters is 32) Message writing is executed when a message is written here. Ignored for preset messages Attach a terminator '\0' at the end

• Read/Write batch information

Lot number, Batch number, Batch group number

The content is reflected when the lot number or batch number is updated.

when multi batch is not in use

Data to be accessed	Tag name		Supplementary Information
	Data type INT32	Data type STRING	
Lot number	dint[12800]	–	Lot number data
Batch number	dint[12801]	string[12801]	UTF-8 characters (2 characters) Up to 32 characters [attach the terminator '\0' at the end]

When multi batch is in use

Data to be accessed	Tag name		Supplementary Information
	Data type INT32	Data type STRING	
Batch group number	dint[12850]	–	1 or greater: Batch group number When reading, the batch group number that performed writing previously Default value: 0

Continued on next page

Data to be accessed	Tag name		Supplementary Information
	Data type INT32	Data type STRING	
Lot number	dint[12851]	–	When reading, the lot number corresponding to the previous batch group number
Batch number	dint[12852]	string[12852]	UTF-8 characters (2 characters) Up to 32 characters [attach the terminator '\0' at the end] When reading, the batch number corresponding to the previous batch group number NULL character if there is no corresponding batch group number

Batch comment

The content is reflected when the batch comment number or batch comment is updated.

Data to be accessed	Tag name		Supplementary Information
	Data type INT32	Data type STRING	
Batch comment (batch group number)	dint[12900]	–	1 to 12: Batch group number When reading, the batch group number that performed writing previously Default value: 0 No multi batch:1
Batch comment (batch comment number)	dint[12901]	–	When reading, the batch comment number that performed writing previously Default value: 0
Batch comment (body of comment)	dint[12902]	string[12902]	UTF-8 characters (2 characters) Up to 50 characters [attach the terminator '\0' at the end] When reading, the batch comment text corresponding to the previous batch group number and batch comment number NULL character if there is no corresponding batch group number or batch comment number

Batch text field title

The content is reflected when the text field number or text field title is updated.

Data to be accessed	Tag name		Supplementary Information
	Data type INT32	Data type STRING	
Batch text field title (batch group number)	dint[12950]	–	1 to 12: Batch group number When reading, the batch group number that performed writing previously Default value: 0 No multi batch:1
Batch text field title (text field number)	dint[12951]	–	Text field number When reading, the batch text field number that performed writing previously Default value: 0

Continued on next page

Data to be accessed	Tag name		Supplementary Information
	Data type INT32	Data type STRING	
Batch text field title (text field title)	dint[12952]	string[12952]	UTF-8 characters (2 characters) Up to 20 characters [attach the terminator '\0' at the end] When reading, the batch text field title corresponding to the previous batch group number and batch text field number NULL character if there is no corresponding batch group number or batch text field number

Batch text field string

The content is reflected when the text field number or text field is updated.

Data to be accessed	Tag name		Supplementary Information
	Data type INT32	Data type STRING	
Batch text field string (batch group number)	dint[13000]	–	1 or greater: Batch group number When reading, the batch group number that performed writing previously Default value: 0
Batch text field string (text field number)	dint[13001]	–	Text field number When reading, the batch text field number that performed writing previously Default value: 0
Batch text field string (text field)	dint[13002]	string[13002]	UTF-8 characters (2 characters) Up to 30 characters [attach the terminator '\0' at the end] When reading, the batch field characters corresponding to the previous batch group number and batch text field number NULL character if there is no corresponding batch group number or batch text field number

• Alarm setting

The content is reflected according to the settings in use when a value is written in the alarm value or alarm delay field.

Data to be accessed	Tag name		Supplementary Information
	Data type INT32		
Alarm setting (channel type)	dint[13050]		1: I/O channel 2: Math channel 3: Communication channel
Alarm setting (channel number)	dint[13051]		I/O channel: 1 to 6932 Math channel: 1 to 200 Communication channel: 1 to 500

Continued on next page

Data to be accessed	Tag name	Supplementary Information
	Data type INT32	
Alarm setting (alarm level)	dint[13052]	1 to 4: Alarm level
Alarm type	dint[13053]	0: OFF 1: High limit alarm 2: Low limit alarm 3: High limit on rate-of-change alarm 4: Low limit on rate-of-change alarm 5: Delay high limit alarm 6: Delay low limit alarm 7: Deviation high limit alarm 8: Deviation low limit alarm 10: Profile high limit alarm 11: Profile low limit alarm
Alarm setpoint	dint[13054]	Alarm setpoint
Alarm delay setting (channel type)	dint[13060]	1: I/O channel 2: Math channel 3: Communication channel
Alarm delay setting (channel number)	dint[13061]	I/O channel: 1 to 6932 Math channel: 1 to 200 Communication channel: 1 to 500
Alarm delay	dint[13062]	Alarm delay seconds

Data Type

For a PLC, you can specify the type of read or write data using a file number or tag name in a command. However, the data type is fixed to INT16 for commands “PLC2 Unprotected Read/Write” and “PLC5 Word Range Read/Write.”

Data on the Recorder

The data count on the recorder is as follows:

Model	Type (Suffix code)	Input/Output channel		Computation channel		Communication channel	
		Count	Number	Count	Number	Count	Number
GX10, GP10	Standard (-1)	100	0001 to 6650	50	A001 to A050	50	C001 to C050
GX20-1, GX20-1	Standard (-1)	100	0001 to 6650	100	A001 to A100	300	C001 to C300
GX20-2, GX20-2	Large Memory (-2)	500	0001 to 6650	200	A001 to A200	500	C001 to C500
GM10-1	Standard (-1)	100	0001 to 6650	100	A001 to A100	300	C001 to C300
GM10-2	Large Memory (-2)	500	0001 to 6650	200	A001 to A200	500	C001 to C500

The following table shows the I/O channel assignments when a PID control module is installed.

Data to be accessed		Reading data	Data to be accessed		Reading data
Input/Output channel	um01	Loop 1 PV	Input/Output channel	um19	DO1
	um02	Loop 1 SP		um20	DO2
	um03	Loop 1 OUT		um21	DO3
	um04	Loop 2 PV		um22	DO4
	um05	Loop 2 SP		um23	DO5
	um06	Loop 2 OUT		um24	DO6
	um07	Loop 1 AI		um25	DO7
	um08	Loop 2 AI		um26	DO8
	um09	Loop 1 AO			
	um10	Loop 2 AO			
	um11	DI1			
	um12	DI2			
	um13	DI3			
	um14	DI4			
	um15	DI5			
	um16	DI6			
	um17	DI7			
	um18	DI8			

u: Unit number, m: Module number

Example: Loop number L651 OUT corresponds to I/O channel number 6503.

I/O Messages

System Configuration on PLC

An I/O message is also called an Implicit message. An I/O message is used to transmit pre-specified I/O data at intervals. An I/O message is exchanged via a connection path which is first set in RSLinx and read into RSLogix. A connection path defines the IP address of the recorder, communication port of the PLC, and distinction of input/output.

A device, once configured in RSLinx, can be downloaded into an RSLogix project. The recorder is configured as a "Generic Ethernet Module" in RSLogix.

Instance ID

Each data on the recorder corresponds to the instance ID of an Assembly object. Each data value can be accessed as an INT32, INT16 or FLOAT type. In an I/O message, use an instance ID to code the data on the recorder to be accessed. The following table lists instance IDs, sizes, and data types.

- INT32

Type	Number	Operation type	Instance ID	Size	Data type
Input/Output channel (GX/GP main unit) (GM main unit)	0001 to 0050, 0101 to 0150	Producer	101	400 (4 x 100)	INT32
	0201 to 0250, 0301 to 0350	Producer	102	400 (4 x 100)	INT32
	0401 to 0450, 0501 to 0550	Producer	103	400 (4 x 100)	INT32
	0601 to 0650, 0701 to 0750	Producer	104	400 (4 x 100)	INT32
	0801 to 0850, 0901 to 0950	Producer	105	400 (4 x 100)	INT32
(GX/GP expandable I/O 1) (GM sub unit 1)	1001 to 1050, 1101 to 1150	Producer	106	400 (4 x 100)	INT32
	1201 to 1250, 1301 to 1350	Producer	107	400 (4 x 100)	INT32
	1401 to 1450, 1501 to 1550	Producer	108	400 (4 x 100)	INT32
(GX/GP expandable I/O 2) (GM sub unit 2)	2001 to 2050, 2101 to 2150	Producer	111	400 (4 x 100)	INT32
	2201 to 2250, 2301 to 2350	Producer	112	400 (4 x 100)	INT32
	2401 to 2450, 2501 to 2550	Producer	113	400 (4 x 100)	INT32
(GX/GP expandable I/O 3) (GM sub unit 3)	3001 to 3050, 3101 to 3150	Producer	116	400 (4 x 100)	INT32
	3201 to 3250, 3301 to 3350	Producer	117	400 (4 x 100)	INT32
	3401 to 3450, 3501 to 3550	Producer	118	400 (4 x 100)	INT32
(GX/GP expandable I/O 4) (GM sub unit 4)	4001 to 4050, 4101 to 4150	Producer	121	400 (4 x 100)	INT32
	4201 to 4250, 4301 to 4350	Producer	122	400 (4 x 100)	INT32
	4401 to 4450, 4501 to 4550	Producer	123	400 (4 x 100)	INT32
Input/Output channel (GX/GP expandable I/O 5) (GM sub unit 5)	5001 to 5050, 5101 to 5150	Producer	126	400 (4 x 100)	INT32
	5201 to 5250, 5301 to 5350	Producer	127	400 (4 x 100)	INT32
	5401 to 5450, 5501 to 5550	Producer	128	400 (4 x 100)	INT32

Continued on next page

Type	Number	Operation type	Instance ID	Size	Data type
(GX/GP expandable I/O 6) (GM sub unit 6)	6001 to 6050, 6101 to 6150	Producer	131	400 (4 x 100)	INT32
	6201 to 6250, 6301 to 6350	Producer	132	400 (4 x 100)	INT32
	6401 to 6450, 6501 to 6550	Producer	133	400 (4 x 100)	INT32
Input/Output channel (Continuous channel data area)*	0001 to 0010, 0101 to 0110, 0201 to 0210, 0301 to 0310, 0401 to 0410, 0501 to 0510, 0601 to 0610, 0701 to 0710, 0801 to 0810, 0901 to 0910	Producer	136	400 (4 x 100)	INT32
Computation channel	A001 to A100	Producer	137	400 (4 x 100)	INT32
	A101 to A200		147	400 (4 x 100)	
Communication channel (Read/Write)	C001 to C100	Producer / Consumer	138	400 (4 x 100)	INT32
	C101 to C200	Producer / Consumer	139	400 (4 x 100)	INT32
	C201 to C300	Producer / Consumer	140	400 (4 x 100)	INT32
	C301 to C400	Producer / Consumer	141	400 (4 x 100)	INT32
	C401 to C500	Producer / Consumer	142	400 (4 x 100)	INT32
-		Configuration	195	0	-
-		Producer / Consumer	196	0	-

* The "continuous channel data area" is a special area that enables continuous reading by limiting the number of channels of each module to 10.
For only the I/O channels on a GX/GP main unit or I/O channels on a GM main unit, this area can be used to read data consecutively.

• INT16

Acquiring the alarm information (status information) of each channel

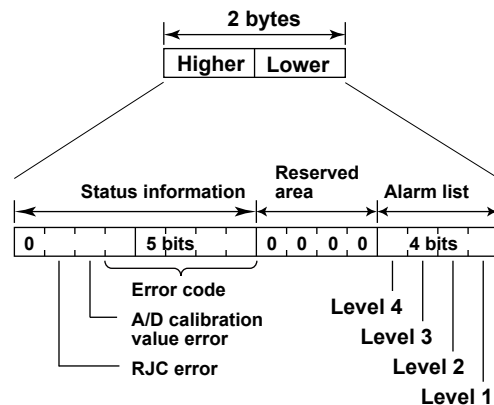
Type	Number	Operation type	Instance ID	Size	Data type
Alarm information of I/O channel (GX/GP main unit) (GM main unit)	0001 to 0050, 0101 to 0150	Producer	800	200 (2 x 100)	INT16
	0201 to 0250, 0301 to 0350	Producer	801	200 (2 x 100)	INT16
	0401 to 0450, 0501 to 0550	Producer	802	200 (2 x 100)	INT16
	0601 to 0650, 0701 to 0750	Producer	803	200 (2 x 100)	INT16
	0801 to 0850, 0901 to 0950	Producer	804	200 (2 x 100)	INT16
(GX/GP expandable I/O 1) (GM sub unit 1)	1001 to 1050, 1101 to 1150	Producer	805	200 (2 x 100)	INT16
	1201 to 1250, 1301 to 1350	Producer	806	200 (2 x 100)	INT16
	1401 to 1450, 1501 to 1550	Producer	807	200 (2 x 100)	INT16
(GX/GP expandable I/O 2) (GM sub unit 2)	2001 to 2050, 2101 to 2150	Producer	810	200 (2 x 100)	INT16
	2201 to 2250, 2301 to 2350	Producer	811	200 (2 x 100)	INT16
	2401 to 2450, 2501 to 2550	Producer	812	200 (2 x 100)	INT16
(GX/GP expandable I/O 3) (GM sub unit 3)	3001 to 3050, 3101 to 3150	Producer	815	200 (2 x 100)	INT16
	3201 to 3250, 3301 to 3350	Producer	816	200 (2 x 100)	INT16
	3401 to 3450, 3501 to 3550	Producer	817	200 (2 x 100)	INT16

Continued on next page

Type	Number	Operation type	Instance ID	Size	Data type
Alarm information of I/O channel (GX/GP expandable I/O 4) (GM sub unit 4)	4001 to 4050, 4101 to 4150	Producer	820	200 (2 x 100)	INT16
	4201 to 4250, 4301 to 4350	Producer	821	200 (2 x 100)	INT16
	4401 to 4450, 4501 to 4550	Producer	822	200 (2 x 100)	INT16
(GX/GP expandable I/O 5) (GM sub unit 5)	5001 to 5050, 5101 to 5150	Producer	825	200 (2 x 100)	INT16
	5201 to 5250, 5301 to 5350	Producer	826	200 (2 x 100)	INT16
	5401 to 5450, 5501 to 5550	Producer	827	200 (2 x 100)	INT16
(GX/GP expandable I/O 6) (GM sub unit 6)	6001 to 6050, 6101 to 6150	Producer	830	200 (2 x 100)	INT16
	6201 to 6250, 6301 to 6350	Producer	831	200 (2 x 100)	INT16
	6401 to 6450, 6501 to 6550	Producer	832	200 (2 x 100)	INT16
Alarm information of I/O channel (Continuous channel data area)*	0001 to 0010, 0101 to 0110, 0201 to 0210, 0301 to 0310, 0401 to 0410, 0501 to 0510, 0601 to 0610, 0701 to 0710, 0801 to 0810, 0901 to 0910	Producer	835	200 (2 x 100)	INT16
Alarm information of computation channel	A001 to A100	Producer	836	200 (2 x 100)	INT16
	A101 to A200		837	200 (2 x 100)	INT16
Alarm information of communication channel	C001 to C100	Producer	838	200 (2 x 100)	INT16
	C101 to C200		839	200 (2 x 100)	INT16
	C201 to C300		840	200 (2 x 100)	INT16
	C301 to C400		841	200 (2 x 100)	INT16
	C401 to C500		842	200 (2 x 100)	INT16

* The “continuous channel data area” is a special area that enables continuous reading by limiting the number of channels of each module to 10.
For only the I/O channels on a GX/GP main unit or I/O channels on a GM main unit, this area can be used to read data consecutively.

- There is no decimal place information.



Error code	Meaning
0	No error
1	Skip
2	+Over
3	-Over
4	+Burnout
5	-Burnout
6	A/D error
7	Invalid data
16	Computation error
17	Communication error

•FLOAT

Type	Number	Operation type	Instance ID	Size	Data type
Input/Output channel (GX/GP main unit) (GM main unit)	0001 to 0050, 0101 to 0150	Producer	148	400 (4 x 100)	FLOAT
	0201 to 0250, 0301 to 0350	Producer	149	400 (4 x 100)	FLOAT
	0401 to 0450, 0501 to 0550	Producer	150	400 (4 x 100)	FLOAT
	0601 to 0650, 0701 to 0750	Producer	151	400 (4 x 100)	FLOAT
	0801 to 0850, 0901 to 0950	Producer	152	400 (4 x 100)	FLOAT
(GX/GP expandable I/O 1) (GM sub unit 1)	1001 to 1050, 1101 to 1150	Producer	153	400 (4 x 100)	FLOAT
	1201 to 1250, 1301 to 1350	Producer	154	400 (4 x 100)	FLOAT
	1401 to 1450, 1501 to 1550	Producer	155	400 (4 x 100)	FLOAT
(GX/GP expandable I/O 2) (GM sub unit 2)	2001 to 2050, 2101 to 2150	Producer	158	400 (4 x 100)	FLOAT
	2201 to 2250, 2301 to 2350	Producer	159	400 (4 x 100)	FLOAT
	2401 to 2450, 2501 to 2550	Producer	160	400 (4 x 100)	FLOAT
(GX/GP expandable I/O 3) (GM sub unit 3)	3001 to 3050, 3101 to 3150	Producer	163	400 (4 x 100)	FLOAT
	3201 to 3250, 3301 to 3350	Producer	164	400 (4 x 100)	FLOAT
	3401 to 3450, 3501 to 3550	Producer	165	400 (4 x 100)	FLOAT
(GX/GP expandable I/O 4) (GM sub unit 4)	4001 to 4050, 4101 to 4150	Producer	168	400 (4 x 100)	FLOAT
	4201 to 4250, 4301 to 4350	Producer	169	400 (4 x 100)	FLOAT
	4401 to 4450, 4501 to 4550	Producer	170	400 (4 x 100)	FLOAT
(GX/GP expandable I/O 5) (GM sub unit 5)	5001 to 5050, 5101 to 5150	Producer	173	400 (4 x 100)	FLOAT
	5201 to 5250, 5301 to 5350	Producer	174	400 (4 x 100)	FLOAT
	5401 to 5450, 5501 to 5550	Producer	175	400 (4 x 100)	FLOAT
(GX/GP expandable I/O 6) (GM sub unit 6)	6001 to 6050, 6101 to 6150	Producer	178	400 (4 x 100)	FLOAT
	6201 to 6250, 6301 to 6350	Producer	179	400 (4 x 100)	FLOAT
	6401 to 6450, 6501 to 6550	Producer	180	400 (4 x 100)	FLOAT
Input/Output channel (Continuous channel data area)*	0001 to 0010, 0101 to 0110, 0201 to 0210, 0301 to 0310, 0401 to 0410, 0501 to 0510, 0601 to 0610, 0701 to 0710, 0801 to 0810, 0901 to 0910	Producer	183	400 (4 x 100)	FLOAT
Computation channel	A001 to A100	Producer	184	400 (4 x 100)	FLOAT
	A101 to A200		194	400 (4 x 100)	

Continued on next page

Type	Number	Operation type	Instance ID	Size	Data type
Communication channel (Read/Write)	C001 to C100	Producer / Consumer	185	400 (4 x 100)	FLOAT
	C101 to C200	Producer / Consumer	186	400 (4 x 100)	FLOAT
	C201 to C300	Producer / Consumer	187	400 (4 x 100)	FLOAT
	C301 to C400	Producer / Consumer	188	400 (4 x 100)	FLOAT
	C401 to C500	Producer / Consumer	189	400 (4 x 100)	FLOAT
-		Configuration	195	0	-
-		Producer / Consumer	196	0	-

- * The “continuous channel data area” is a special area that enables continuous reading by limiting the number of channels of each module to 10.
For only the I/O channels on a GX/GP main unit or I/O channels on a GM main unit, this area can be used to read data consecutively.

Explanation

- The recorder data can be accessed using the INT32, INT16 or FLOAT type. Data can be accessed by the type based on the specified instance ID.
- The operation type “Producer” indicates a read-only instance and “Producer/Consumer” indicates a read/write instance.

Data on the Recorder

See the explanation in the previous section on Explicit messages.

Communication Considerations

About Communication Interval

Data Update

The recorder data is updated in a scan interval. Even if a PLC accesses the data at shorter intervals than the recorder scan intervals, the data is updated only at scan intervals.

Communication Interval

A PLC should access the recorder at intervals of 100 ms or longer.

* This is required to maintain compatibility with other protocols supported by the recorder than EtherNet/IP.

Access to Non-existent Data

If non-existent data is accessed, either of the following operations occur.

- 0 is read if non-existent data is read.
- Nothing is done if non-existent data is written.

Special data

Special data will have the following values:

Channel status	Data type	
	Integer (Int)	Floating (Float)
+Over, +Burnout	Maximum expressible value	+∞
-Over, -Burnout	Minimum expressible value	-∞

Example: Channel status is “-Over”

Data type	Output value
Int16	-32768 (0x8000)
Int32	-2147483648 (0x80000000)
Float	-∞ (0xff800000)

Writing Data to the Recorder

Input value	Recorder value
More than 99999999	+Over
-99999999 to 99999999	The data is written without change.
Less than -99999999	-Over

Specifications

The following table shows the basic specifications of the EtherNet/IP server function of the recorder.

Specification	Description
Implementation level	Level 2 (Message Server + I/O Server)
Maximum number of connections	20 connections (10 sessions) ^{1, 2}
Ports used	44818/tcp, 44818/udp, 2222/udp ³
Supported protocols	EIP/PCCC, EIP/native ⁴
Messaging	Explicit (UCMM, Class 3) + I/O (Class 1)
Object	Assembly, PCCC, Data Table ⁵
Authentication	File No. 11246.01 (Jan 21, 2014) (GX/GP) File No. 11370.01(Dec 15, 2014)(GM) File No. 11246.02(Nov 21, 2019)(GX/GP) (R4.07.01 or) File No. 11370.02(Nov 21, 2019)(GM) (R4.07.01 or)

- 1 A "session," a framework of connection management in the encapsulation protocol layer of EtherNet/IP, provides similar functions as a TCP connection to carry out message communications.
- 2 Although multiple connections can be made in one session, the total number of connections cannot exceed the maximum number of connections.
- 3 44818/tcp is used mainly for Explicit messages, 2222/udp for I/O messages, and 44818/udp for communications of response to RSWho of RSLinx.
- 4 CSP/PCCC (Allen Bradley Ethernet) is not supported.
- 5 The description of common object is omitted.

Example of an Explicit Message Using RSLogix 5000

This is an example of using RSLogix 5000 to configure an Explicit message to be sent to the recorder by a PLC supporting the CIP Data Table Read/Write command.

This section assumes that the reader is familiar with the operations of RSLogix 5000 and RSLinx and that RSLogix 5000 can communicate with the target recorder via RSLinx.

Tag

Making tags initially will be useful. Go to Controller Organizer (a tree on the left side of the screen) and open Controller Tag to make a tag with Data Type of Message (Name the tag as MSG1). Also, make a tag used to retain data to be written to the recorder (Name the tag as DATATransfer and store 10 FLOAT values). Make a bit used to launch a message as WriteMessageBit.


Controller Tags

Name	Data Type
DATATransfer	REAL [10]
MSG1	Message
WriteMessageBit	BOOL

MSG Instruction

Go to the Input/Output tab, then the Ladder Element toolbar to select MSG. The MSG block is inserted as ladder output. Tag MSG1 is assigned to the MSG block.



Make the MSG block settings (Click the  button in the MSG block). The following shows an example in which the PLC writes data to the communication channel data C001 to C010 on the recorder.

Set the Message Type as “CIP Data Table Write,” Source Element as “DATATransfer” (a tag in the PLC described earlier), Number of Element as “10” (which can be set to a larger value if more data should be read or written per message). Set the Destination Element as “real [6000].” This corresponds to communication channel data C001 on the recorder.

Message Configuration

Configuration Tab	
Message Type	CIP Data Table Write
Source Element	DATATransfer
Number Of Element	10
Destination Element	real [6000]

Next, go to the Communication tab and set a connection path to the recorder. The path name should consist of the PLC Ethernet port name (LocalENB in this example), comma, 2, comma, and the recorder IP address in this order.

Message Configuration

Communication Tab	
Path	LocalENB,2,192.168.1.126

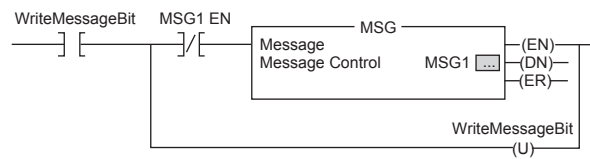
If the connection path to the recorder is configured using RSLinx, the connection path is changed to an automatically named pathname (GX of ETHERNET-MODULE GX shown in the figure below in this example). If the recorder is not configured, the I/O Configuration tree does not show ETHERNET-MODULE GX. The connection path in the Communication tab is not replaced, either.

I/O Configuration



Message Launch Logic

Lastly, configure the message launch logic. In the example shown in the figure below, the MSG block is launched and writes data to the recorder when the WriteMessageBit is On. At the same time, the WriteMessageBit is changed to Off and writing is ended.



Example of I/O Message Using RSLogix 5000

Connection with GX/GP

First, define the connection with recorder using RSLinx. Go to Communication on the menu bar and select Configure Drivers.

Next, select Ethernet Devices and click Add New...

Enter a driver name. In this example, **GX** is entered but other names can also be entered.

Enter the IP address of recorder and click OK.

GX is displayed on the RSWho list of RSLinx.

Configuration of Communication Settings

Open RSLogix 5000 and select a PLC used to communicate with recorder. Right-click Ethernet in I/O Configuration and select New Module.

Click + to open the list. Select ETHERNET-MODULE and click OK. An ETHERNETMODULE setup window will open.

The following shows an example of reading data in input/output channels 0001 to 0010 and writing the data to communication channel data C001 to C020. Data can be accessed using the INT32 type.

In the Name field, enter GX (or other communication connection name). Since data is accessed using INT32, keep Comm Format as Data-DINT. In IP Address, enter the IP address of recorder.

In Connection Parameter, define the input and output. In Input and Output, enter a respective instance ID and size. In Configuration, enter an instance ID of 195 and a size of 0.

New Module

Name	GX
Comm Format	Data-DINT
Address/Host Name	
IP Address	10.0.232.126

Connection Parameter		
	Assembly Instance	Size
Input	101	10 (32-bit)
Output	138	20 (32-bit)
Configuration	195	0 (8-bit)

Tag

In Controller Tag, the GX:I and GX:O tags to be used in control logic have been made. Click + to expand the tag and see all the points of a size specified in the module definition.

Blank