

# Drawings

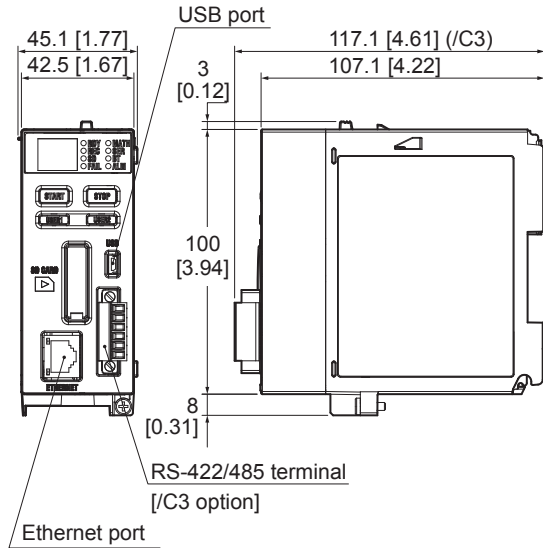
SMARTDAC+ GM  
 Data Acquisition System  
 GM10 Data Acquisition Module  
 GM90MB Module Base  
 GM90PS Power Supply Module



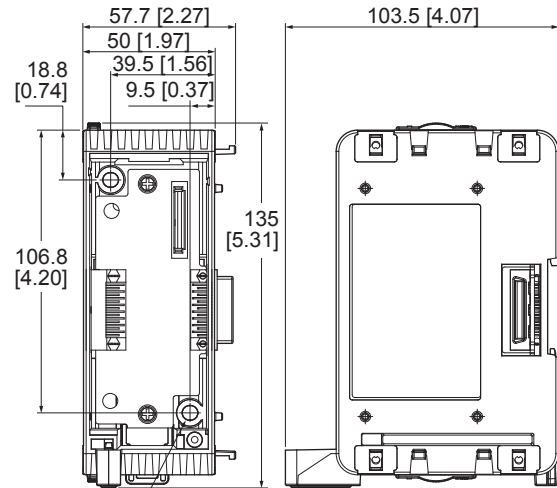
SD 04L55B01-01EN

Unit: mm [approx. inch]

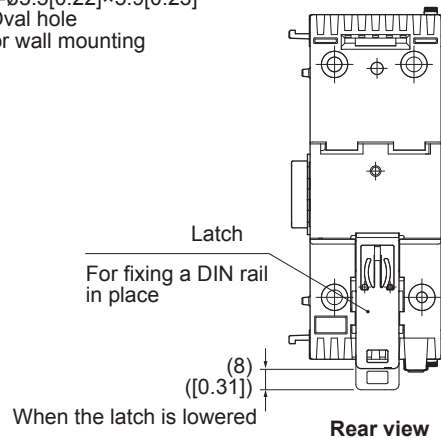
## GM10 External Dimensions



## GM90MB External Dimensions



2- $\phi$ 5.5[0.22] $\times$ 5.9[0.23]  
 Oval hole  
 for wall mounting

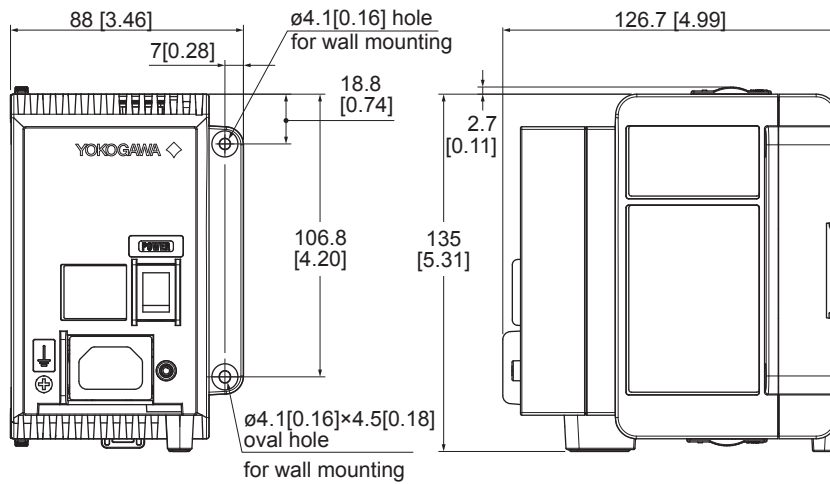


Unless otherwise specified, tolerance is  $\pm 3\%$  (however, tolerance is  $\pm 0.3$  mm when below 10 mm).

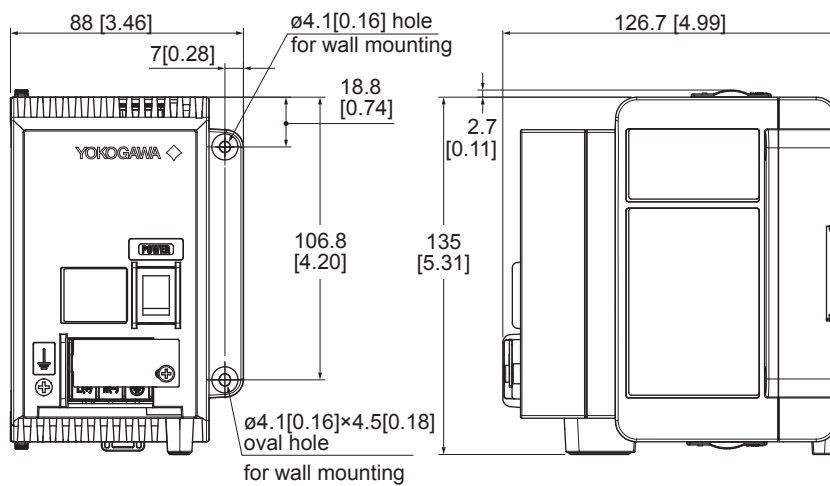
## GM90PS External Dimensions

Unit: mm [approx. inch]

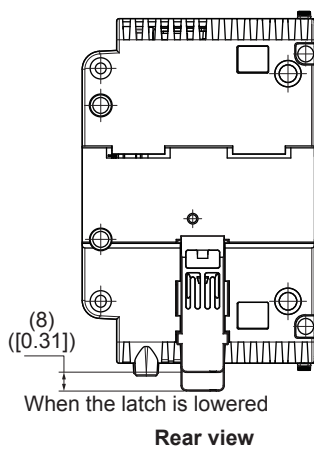
### With a power inlet



### With power supply terminals (M4)



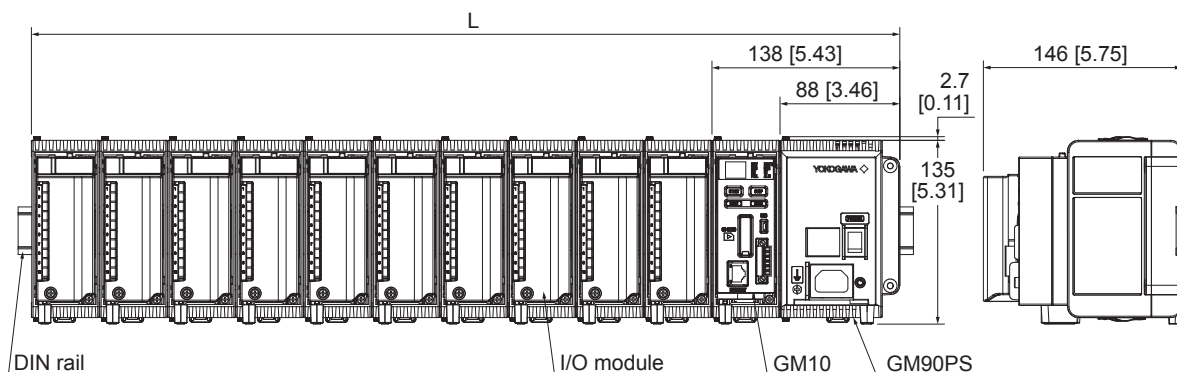
### Rear view



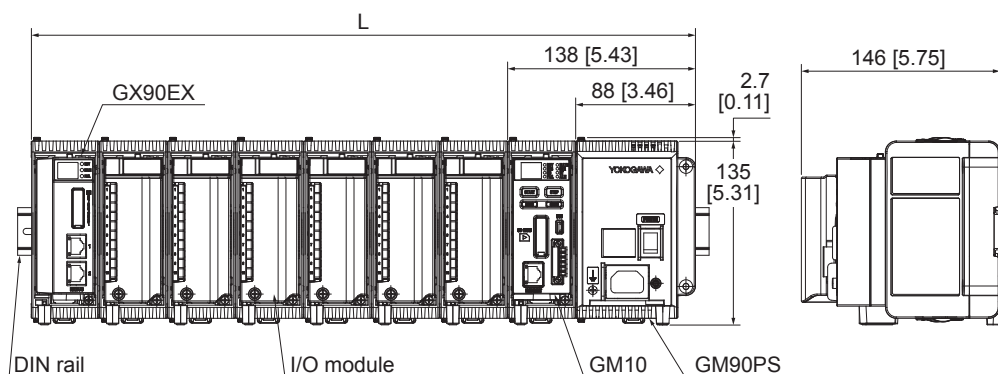
## Unit External Dimensions

Unit: mm [approx. inch]

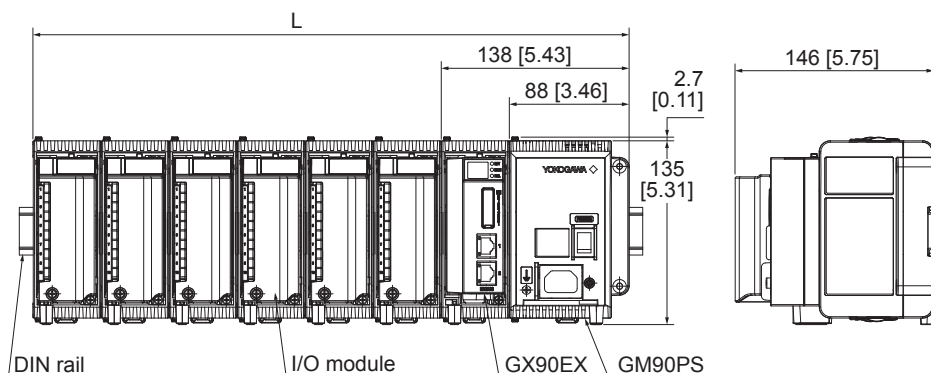
### Main unit (single unit)



### Main unit (multi unit)



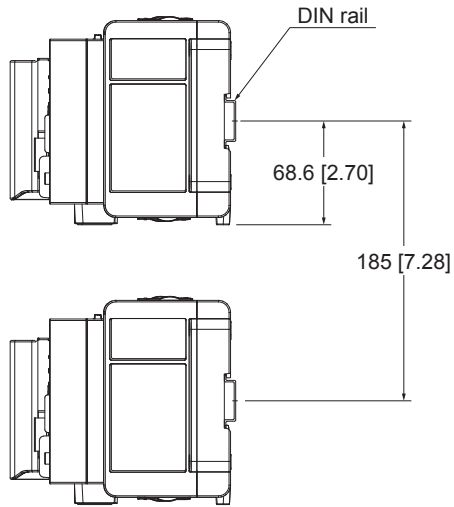
### Sub unit (multi unit)



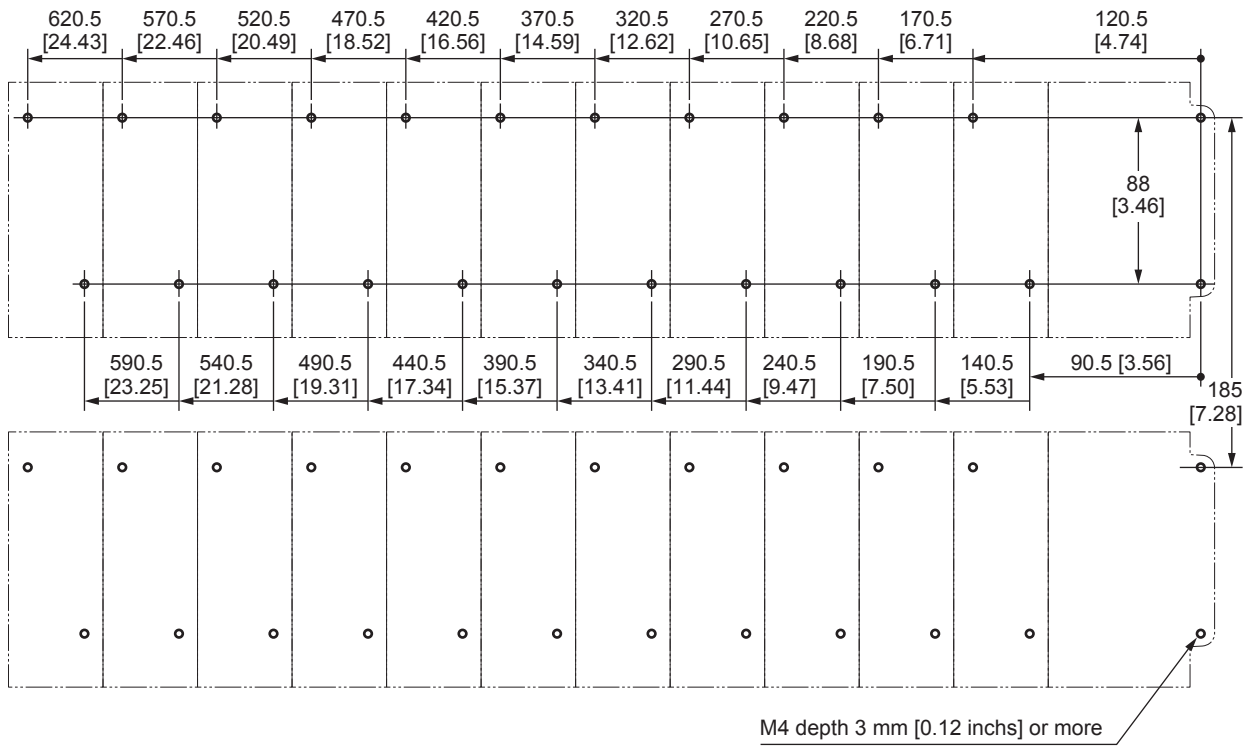
Unit: mm  
approx. inch

Unit types	Maximum width for each input / output module to be connected: L (mm)										
	0	1	2	3	4	5	6	7	8	9	10
Main unit (single unit)	138 5.43	188 7.40	238 9.37	288 11.34	338 13.31	388 15.28	438 17.24	488 19.21	538 21.18	588 23.15	638 25.12
Main unit (multi unit)	188 7.40	238 9.37	288 11.34	338 13.31	388 15.28	438 17.24	488 19.21				
Sub unit (multi unit )	138 5.43	188 7.40	238 9.37	288 11.34	338 13.31	388 15.28	438 17.24				

**Vertical Mounting Dimensions for DIN Rail Mounting**



**Wall Mount Dimensions**



Tolerance:  $\pm 0.3$  [ $\pm 0.012$ ]